

### 1. Destination.

The PK2 (AWZ508) relay module is to be used in low-voltage installations. It is intended for controlling and status indication in e.g. alarm or access control systems. It may be used to control devices of high power consumption via OC outputs of alarm systems. Moreover, it ensures galvanic isolation of signals, power sources relating to the outputs of the module. It is equipped with two separate T+, T- inputs used to trip relays with high or low condition.

### 2. Module description.

#### 2.1 Module elements.

1 – feeding selection jumper
2 – relays
3 – LED diode (signals relay activity)
4 – module connections

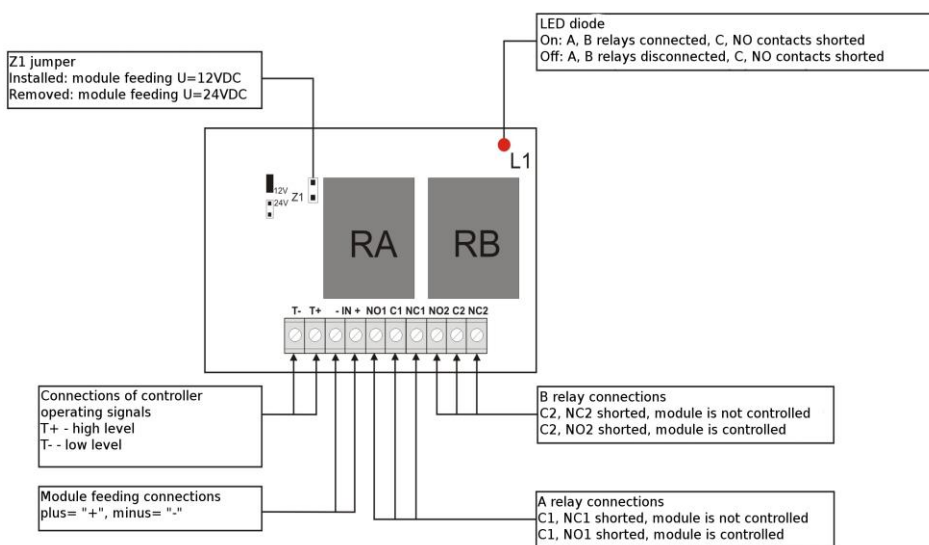
#### 2.2 Module terminals.

T-, T+ input of voltage controlling relay activity
- IN + module supply input
C1, C2 – common relay clamp
NO1, NO2 – normally open relay clamp
NC1, NC2 - normally closed relay clamp

### 3. Specifications.

<b>Voltage of the relay's coil</b>	12V (10VDC±15VDC) 24V (21VDC±28VDC) configuration with jumper Z1
<b>Power consumption</b>	75 mA max.
<b>Number of relays</b>	2
<b>Voltage of the relay's contacts</b>	30VDC / 50VAC max.
<b>Tripping voltage</b>	T+ 5V±Unom. T- 0V±7V
<b>Current of the relay's contacts</b>	2A max.
<b>Operating conditions</b>	2nd environmental class -10°C ÷ 50°C
<b>Dimensions</b>	L=80, W=43, H=22 [±/ - 2mm]
<b>Net/gross weight</b>	0,05 / 0,07 [kg]
<b>Installation</b>	installation tape or installation bolt x2
<b>Declarations, warranty</b>	CE, 2 year from the production date
<b>Notes</b>	leads on connections: Ø 0,41±1,63 (AWG 26-14)

### 4. Scheme of module connections.



#### WEEE PARKING

According to the EU WEE Directive – It is required not to dispose of electric or electronic waste as unsorted municipal waste and to collect such WEEE separately.

#### Pulsar

Siedlec 150, 32-744 Łapczyca, Poland  
Tel. (+48) 14-610-19-40, Fax. (+48) 14-610-19-50  
e-mail: [biuro@pulsar.pl](mailto:biuro@pulsar.pl), [sales@pulsar.pl](mailto:sales@pulsar.pl)  
http:// [www.pulsar.pl](http://www.pulsar.pl), [www.zasilacze.pl](http://www.zasilacze.pl)